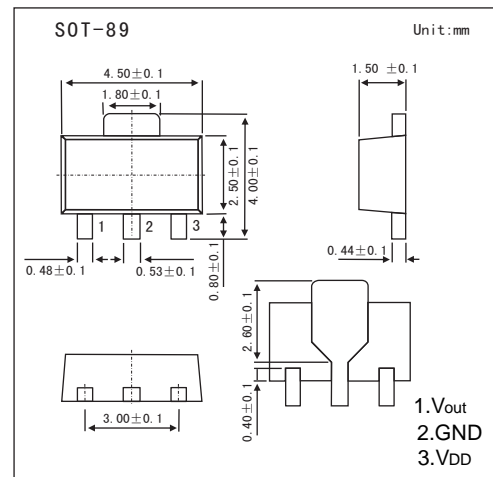


Constant Current Regulator

T6335A

■ Features

- Constant Current Regulator
- Constant Current Option :
150/210/225/240/260/280/300/320/350 mA
- Low Dropout Voltage
- Low 0.1 μ A Shutdown Supply Current
- ESD Human Body Mode Over 5KV
- 2.7V to 5V Supply Voltage Range
- Build in Thermal Protect 160 $^{\circ}$ C

■ Absolute Maximum Ratings $T_a = 25^{\circ}$ C

Parameter	Symbol	Rating	Unit
Voltage on any pin relative to GND	V_{in}	-0.3 to 6	V
Power Dissipation ($T_A = 70^{\circ}$ C)	P_D	1	W
Operating Temperature	T_{op}	-40 to +85	$^{\circ}$ C
Storage Temperature	T_{stg}	-65 to +150	$^{\circ}$ C

■ Electrical Characteristics ($T_a = 25^{\circ}$ C, unless otherwise specified)

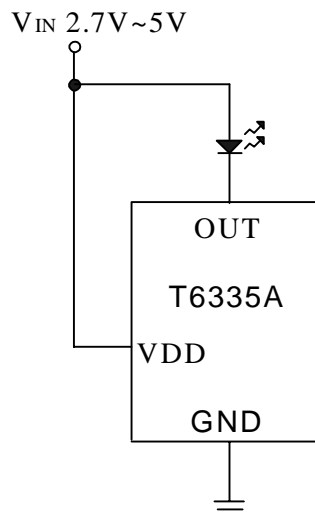
Parameter	Symbol	Test conditons	Min	Typ	Max	Unit
Operating voltage range	V_{DD}	V_{DD} is power supply input	2.7		5	V
Maximum LED sink current	T6335A-350	$V_{DD} = 4.5V, V_{LED} = 3.5V$	329	350	371	mA
	T6335A-320		300	320	339	mA
	T6335A-300		282	300	318	mA
	T6335A-280		263	280	296	mA
	T6335A-260		244	260	275	mA
	T6335A-240		225	240	254	mA
	T6335A-225		211	225	238	mA
	T6335A-210		197	210	222	mA
T6335A-150	141	150	159	mA		
Thermat Protect	T_{TP}	$T_{j(sd)}$		160		$^{\circ}$ C
LED leakage current in shutdown	I_{LSD}	T_{hyst}	$V_{DD} = GND, V_{LED} = 5V$	0.2	1	μ A

■ Marking

Marking	T6335A
---------	--------

T6335A

■ Typical Application Circuit



■ Typical Application Circuit

V_{DD} VS. I_{out} Curve

