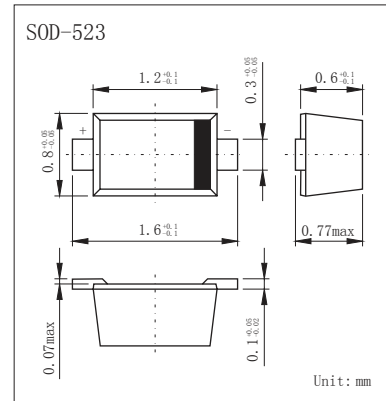
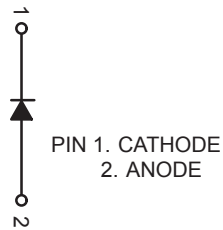


## Schottky Diodes

## RB751S-100(KB751S-100)

## ■ Features

- Extremely High Switching Speed
- Low-Forward Voltage and Low Reverse Current
- High Reliability
- Schottky Barrier Diodes Encapsulated in a SOD523 Package

■ Absolute Maximum Ratings  $T_a = 25^\circ\text{C}$ 

Parameter	Symbol	Rating	Unit
Peak Reverse voltage	$V_{RM}$	100	V
Average Rectified Output Current	$I_o$	200	mA
Junction Temperature	$T_J$	125	°C
Storage temperature range	$T_{stg}$	-40 to 150	

■ Electrical Characteristics  $T_a = 25^\circ\text{C}$ 

Parameter	Symbol	Test Conditions	Min	Typ	Max	Unit
Reverse breakdown voltage	$V_R$	$I_R = 100 \mu\text{A}$	100			V
Forward voltage	$V_{F1}$	$I_F = 200 \text{ mA}$			0.92	
Reverse voltage leakage current	$I_{R1}$	$V_R = 100 \text{ V}$			20	$\mu\text{A}$

## ■ Marking

NO.	RB751S-100
Marking	6