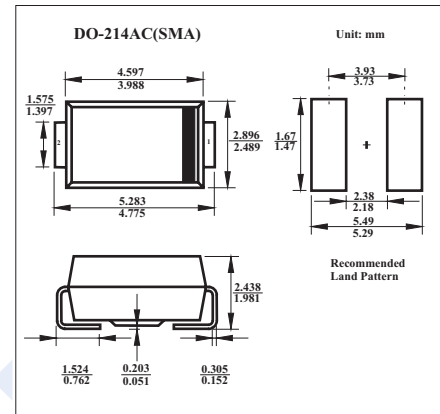


1.0 A Fast Recovery Rectifiers

KR107(FR107)

■ Features

- High Reliability and Low leakage
- Fast Switching for High Efficiency

■ Absolute Maximum Ratings $T_a = 25^\circ\text{C}$

Parameter	Symbol	Rating	Unit
Maximum repetitive peak reverse voltage	V_{RRM}	600	V
Maximum RMS voltage	V_{RMS}	420	V
Maximum DC blocking voltage	V_{DC}	600	V
Maximum average forward output rectified current at $T_A=55^\circ\text{C}$	$I_{(AV)}$	1.0	A
Peak forward surge current single half sine-wave superimposed on rated load (JEDEC Method)	I_{FSM}	30	A
Maximum Forward Voltage at 1.0A	V_F	1.3	V
Maximum DC reverse current $T_A=25^\circ\text{C}$	I_R	5	μA
at Rated DC reverse current $T_A=100^\circ\text{C}$		100	
Typical Thermal Resistance	$R_{\theta JA}$	50	K/W
Typical Junction Capacitance	C_J	15	pF
Maximum Reverse Recovery Time *	T_{rr}	500	ns
Storage and Operating Temperature	T_J, T_{STG}	-65 to +175	$^\circ\text{C}$

*Measured with $I_F=0.5\text{A}, I_R=1.0\text{A}, I_{RR}=0.25\text{A}$

■ Marking

Marking	ES1J
---------	------