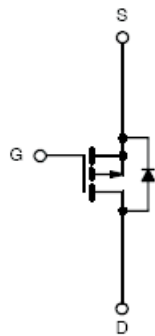


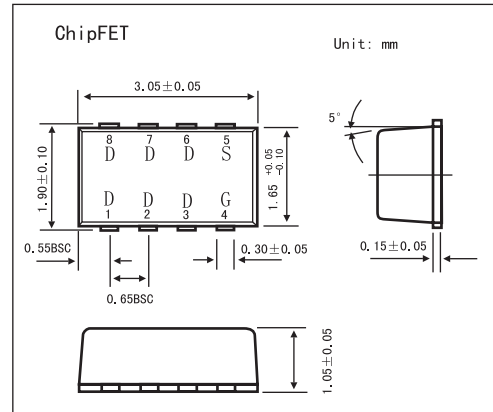
P-Channel 20-V (D-S) MOSFET

KI5433DC

■ Features



P-Channel MOSFET



■ Absolute Maximum Ratings $T_a = 25^\circ\text{C}$

Parameter		Symbol	5 secs	Steady State	Unit
Drain-Source Voltage		V_{DS}	-20		V
Gate-Source Voltage		V_{GS}	± 8		
Continuous Drain Current ($T_J = 150^\circ\text{C}$)*	$T_A = 25^\circ\text{C}$	I_D	-6.7	-4.8	A
	$T_A = 85^\circ\text{C}$		-4.8	-3.5	
Pulsed Drain Current		I_{DM}	-20		
Continuous Source Current *		I_S	-2.1	-1.1	W
Maximum Power Dissipation *	$T_A = 25^\circ\text{C}$	P_D	2.5	1.3	
	$T_A = 85^\circ\text{C}$		1.3	0.7	
Operating Junction and Storage Temperature Range		T_J, T_{stg}	-55 to 150		$^\circ\text{C}$
Soldering Recommendations (Peak Temperature)			260		$^\circ\text{C}$
Parameter		Symbol	Typ	Max	Unit
Maximum Junction-to-Ambient*	$t \leq 5 \text{ sec}$	R_{thJA}	40	50	$^\circ\text{C/W}$
	Steady-State		80	95	
Maximum Junction-to-Foot (Drain)	Steady-State	R_{thJF}	15	20	

* Surface Mounted on 1" X 1" FR4 Board.

KI5433DC

■ Electrical Characteristics Ta = 25°C

Parameter	Symbol	Testconditions	Min	Typ	Max	Unit
Gate Threshold Voltage	V _{GS(th)}	V _{DS} = V _{GS} , I _D = -250 μA	-0.45			V
Gate-Body Leakage	I _{GSS}	V _{DS} = 0 V, V _{GS} = ±8 V			±100	nA
Zero Gate Voltage Drain Current	I _{DSS}	V _{DS} = -16V, V _{GS} = 0 V			-1	μA
		V _{DS} = -16V, V _{GS} = 0 V, T _J = 85°C			-5	μA
On-State Drain Current*	I _{D(on)}	V _{DS} ≤ -5 V, V _{GS} = -4.5 V	-20			A
Drain-Source On-State Resistance*	r _{Ds(on)}	V _{GS} = -4.5 V, I _D = -4.8A		0.036	0.028	Ω
		V _{GS} = -2.5 V, I _D = -4.2A		0.045	0.039	Ω
		V _{GS} = -1.8 V, I _D = -1A		0.062		Ω
Forward Transconductance*	g _{fs}	V _{DS} = -10 V, I _D = -4.8A		15		S
Schottky Diode Forward Voltage*	V _{SD}	I _S = -1.1 A, V _{GS} = 0 V		-0.8	-1.2	V
Total Gate Charge	Q _g	V _{DS} = -10V, V _{GS} = -4.5 V, I _D = -4.8 A		15	22	nC
Gate-Source Charge	Q _{gs}			3.6		nC
Gate-Drain Charge	Q _{gd}			2.5		nC
Turn-On Delay Time	t _{d(on)}	V _{DD} = -10 V, R _L = 10 Ω I _D = -1 A, V _{GEN} = -4.5V, R _G = 6 Ω		22	35	ns
Rise Time	t _r			29	45	ns
Turn-Off Delay Time	t _{d(off)}			94	140	ns
Fall Time	t _f			54	80	ns
Source-Drain Reverse Recovery Time	t _{rr}	I _F = -1.1 A, di/dt = 100 A/μs		30	60	ns

* Pulse test; pulse width ≤ 300 μs, duty cycle ≤ 2%.