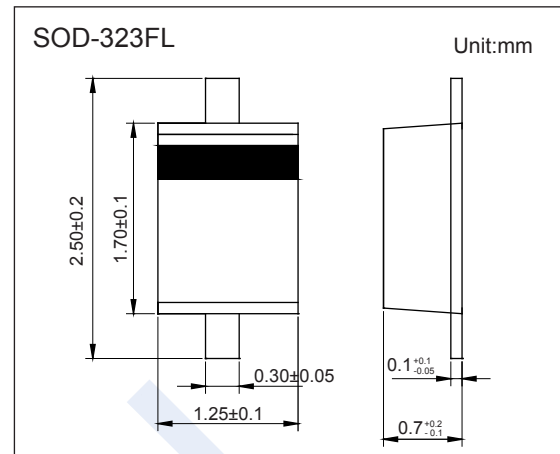


## ESD Protection Diodes

### ESD3Z5V0 ~ ESD3Z12

#### ■ Features

- Nominal stand-off voltage:5.0V,12V
- Plastic material has UL classification 94V-0
- Standard packaging taped and reeled
- Standard Lieferform gegurtet auf Rolle
- Peak pulse power dissipation :350W



#### ■ Absolute Maximum Ratings Ta = 25°C

Parameter	Symbol	Rating	Unit
ESD immunity (HBM, air discharge, IEC 61000-4-2)	V <sub>PP</sub>	30	KV
ESD-Festigkeit (HBM, Luftentladung, IEC 61000-4-2)			
Peak Pulse Power @ tp = 8/20 us	P <sub>PP</sub>	350	W
Junction Capacitance ESD3Z5V0	C <sub>T</sub>	350	pF
Junction Capacitance ESD3Z12		150	
Junction Temperature	T <sub>J</sub>	125	°C
Storage Temperature range	T <sub>stg</sub>	-50 to 150	

#### ■ Electrical Characteristics Ta = 25°C

Type Typ	Stand-off voltage Sperrspannung	Max. rev. current Max. Sperrstrom at / bei V <sub>WM</sub>	Breakdown voltage Abbruch-Spannung at / bei I <sub>s</sub> = 1 mA	Max. clamping voltage Max. Begrenzer-Spannung at / bei I <sub>PPM</sub> (8/20 μs)			
	V <sub>WM</sub> [V]	I <sub>D</sub> [μA]	V <sub>BR</sub> min [V]	V <sub>C</sub> [V]	I <sub>PPM</sub> [A]	V <sub>C</sub> [V]	I <sub>PPM</sub> [A]
ESD3Z5V0	5.0	10	6	9.8	5	14.5	24
ESD3Z12	12	1	13.3	19	5	25	15

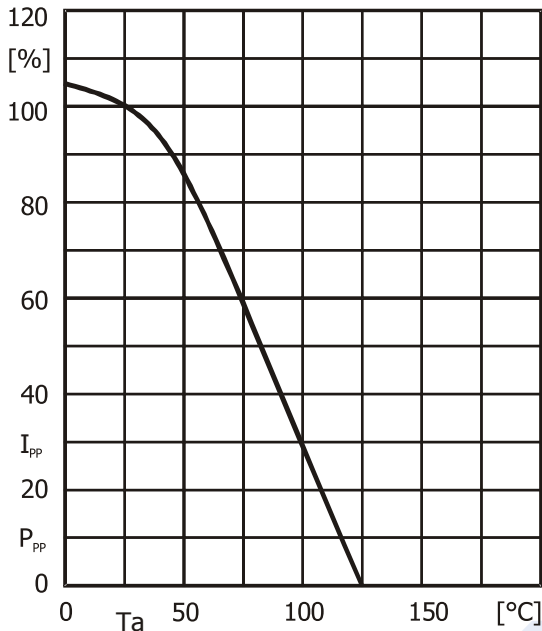
#### ■ Marking

NO	ESD3Z5V0	ESD3Z12
Marking	5*	12*

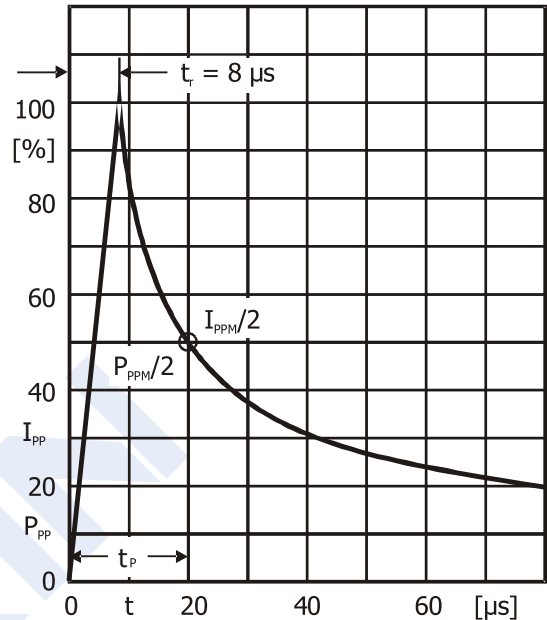
### ESD Protection Diodes

### ESD3Z5V0 ~ ESD3Z12

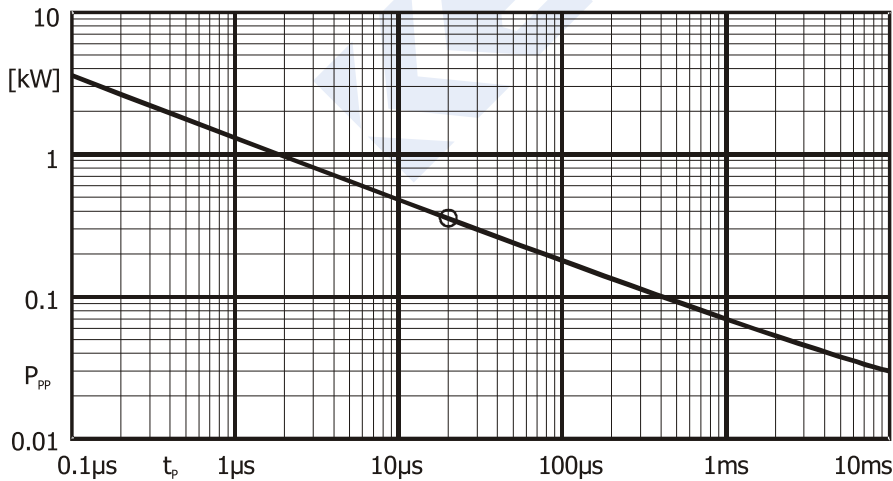
■ Typical Characteristics



Peak pulse power/current vs. ambient temperature  
Impuls-Spitzenleistung/Strom vs. Umgebungstemp.



8/20μs - pulse waveform  
8/20μs - Impulsform



Non repetitive peak pulse power versus pulse width (10/1000 wave form)  
Einzel-Impuls-Spitzenleistung in Abh. von der Pulsdauer (10/1000-Impuls)