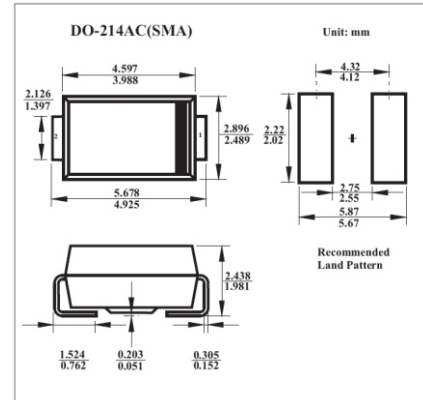


Surface Mount Rectifier

GS1A ~ GS1M

■ Features

- For surface mounted applications
- Low profile package
- Built-in strain relief
- Easy pick and place
- Plastic package has Underwriters Laboratory Flammability Classification 94V-O



■ Maximum Ratings And Electrical Characteristics at 25°C

Parameter	Symbol	GS1A	GS1B	GS1D	GS1G	GS1J	GS1K	GS1M	Unit
Maximum Recurrent Peak Reverse Voltage	V_{RRM}	50	100	200	400	600	800	1000	V
Maximum RMS Voltage	V_{RMS}	35	70	140	280	420	560	700	
Maximum DC Blocking Voltage	V_{DC}	50	100	200	400	600	800	100	
Maximum Average Forward Rectified Current, at $T_L=75^\circ\text{C}$	$I_{(AV)}$	1.0							A
Peak Forward Surge Current 8.3ms single half sine-wave superimposed on rated load (JEDEC method)	I_{FSM}	30.0							A
Maximum Instantaneous Forward Voltage at 1.0A	V_F	1.10							V
Maximum DC Reverse Current $T_A=25^\circ\text{C}$ at Rated DC Blocking Voltage $T_A=125^\circ\text{C}$	I_R	5.0 200							μA
Maximum Reverse Recovery Time(Note 1) $T_J=25^\circ\text{C}$	T_{RR}	2.5							μs
Typical Junction Capacitance (Note 2)	C_J	15							pF
Maximum Thermal Resistance(Note 3) $R_{\theta JA}$	$R_{\theta JA}$	30							$^\circ\text{C/W}$
Operating and Storage Temperature Range	T_J, T_{STG}	-65 to +150							$^\circ\text{C}$

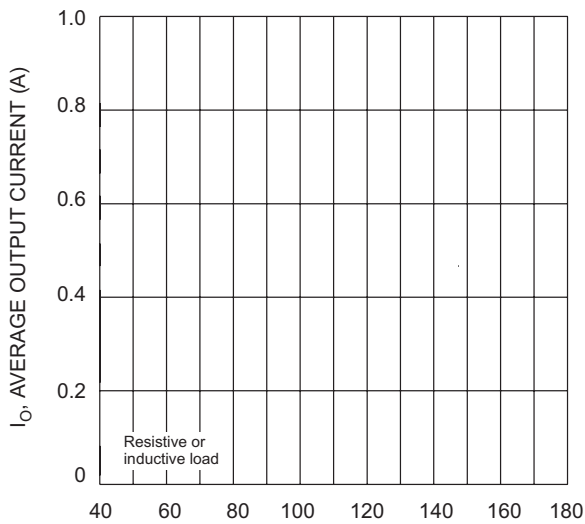
Note 1. Reverse Recovery Test Conditions: $I_F=0.5\text{A}$, $I_R=1.0\text{A}$, $I_{rr}=0.25\text{A}$

2. Measured at 1 MHz and applied $V_r = 4.0\text{V}$.

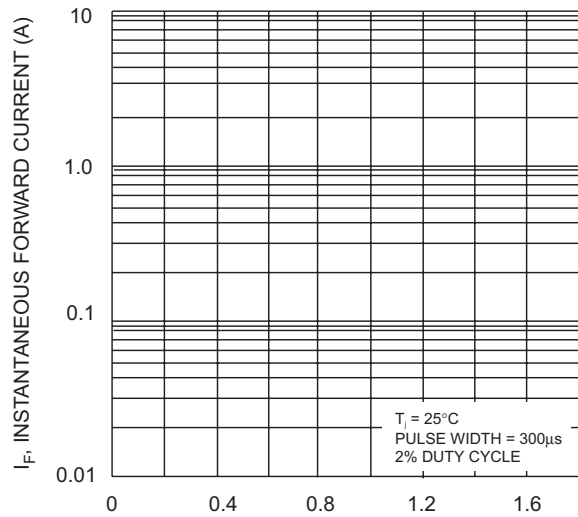
3. 8.0 mm^2 (.013mm thick) land areas.

GS1A ~ GS1M

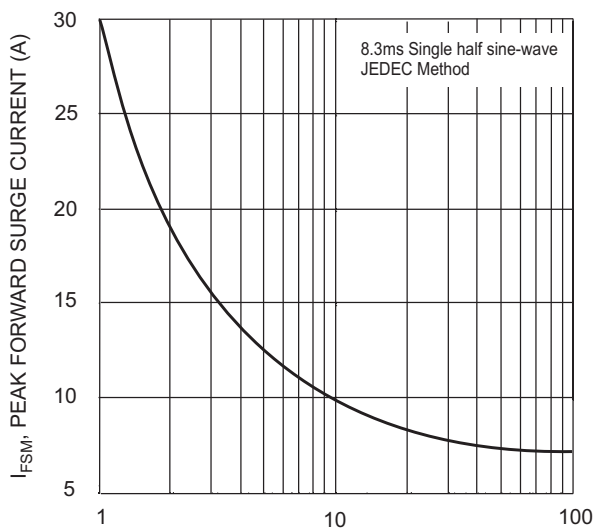
■ Typical Characteristics



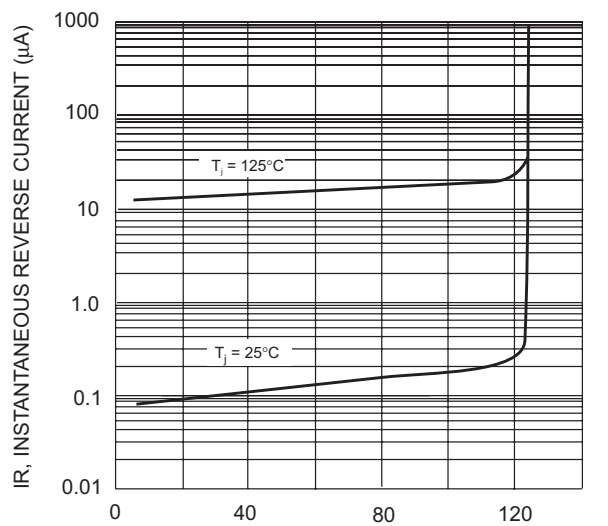
T_L , LEAD TEMPERATURE (°C)
Fig. 1 Forward Current Derating Curve



V_F , INSTANTANEOUS FORWARD VOLTAGE (V)
Fig. 2 Typical Forward Characteristics



NUMBER OF CYCLES @ 60Hz
Fig. 3 Max Non-Repetitive Peak Fwd Surge Current



PERCENT OF RATED PEAK REVERSE VOLTAGE (%)
Fig. 4 Typical Reverse Characteristics