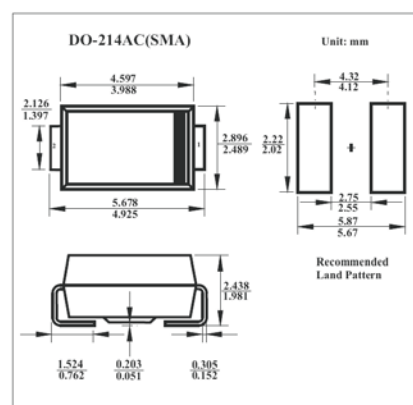


General Purpose Rectifiers

GF1A - GF1M

■ Features

- Low forward voltage drop.
- High current capability.
- Easy pick and place.
- High surge current capability.



■ Maximum Ratings And Electrical Characteristics at 25°C

Parameter	Symbol	GF1A	GF1B	GF1D	GF1G	GF1J	GF1K	GF1M	Unit
Maximum Recurrent Peak Reverse Voltage	V _{RRM}	50	100	200	400	600	800	1000	V
Maximum RMS Voltage	V _{RMS}	35	70	140	280	420	560	700	
Maximum DC Blocking Voltage	V _{DC}	50	100	200	400	600	800	100	
Maximum Average Forward Rectified Current, at T _L =75°C	I _(AV)	1.0							A
Peak Forward Surge Current 8.3ms single half sine-wave superimposed on rated load (JEDEC method)	I _{FSM}	30.0							A
Maximum Instantaneous Forward Voltage at 1.0A	V _F	1.0					1.2		V
Maximum DC Reverse Current T _A =25°C	I _R	5.0							μA
at Rated DC Blocking Voltage T _A =125°C		50.0							
Maximum Reverse Recovery Time(Note 1) T _J =25°C	T _{RR}	2.0							μs
Typical Junction Capacitance (Note 2)	C _J	12							pF
Maximum Thermal Resistance(Note 3) R _{θJA}	R _{θJA}	30							°C/W
Operating and Storage Temperature Range	T _J , T _{STG}	-55 to +150							°C

Note 1. Reverse Recovery Test Conditions: I_F=0.5A, I_R=1.0A, I_{rr}=0.25A

2. Measured at 1 MHz and applied V_r = 4.0 V.

3. 8.0 mm² (.013mm thick) land areas.