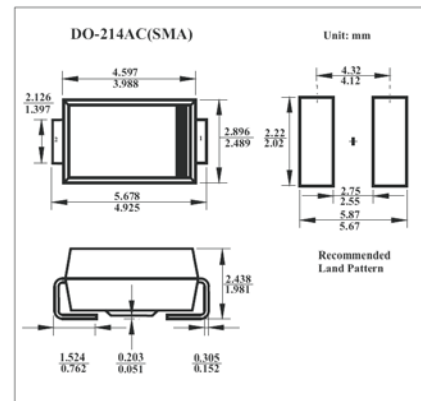


Rectifier Diode

1SR154-400

■ Features

- Small power mold type.
- High reliability.



■ Absolute Maximum Ratings $T_a = 25^\circ\text{C}$

Parameter	Symbol	Rating	Unit
Reverse Voltage	V_{RMS}	500	V
Reverse Voltage	V_R	400	
Average Rectified Output Current	I_o	1	A
Forward Current Surge Peak (60Hz.Tcyc)	I_{FSM}	30	A
Operating and Storage Temperature Range	T_j, T_{STG}	-55 to 150	$^\circ\text{C}$

■ Electrical Characteristics $T_a = 25^\circ\text{C}$

Parameter	Symbol	Testconditions	Min.	Typ.	Max.	Unit
Forward Voltage	V_F	$I_F=1A$			1.1	V
Reverse Current	I_R	$V_R=400V$			10	μA