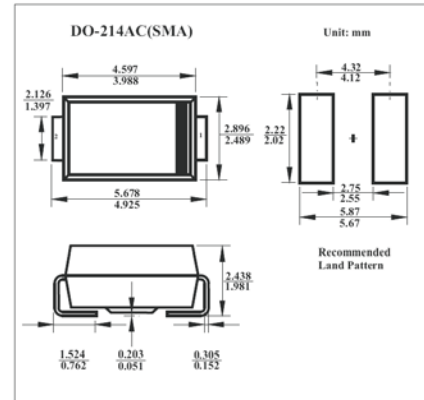


1.0A Surface Mount Glass Passivated Rectifier S1A-S1M

■ Features

- Glass Passivated Die Construction
- Low Forward Voltage Drop and High Current Capability
- Surge Overload Rating to 30A Peak
- Ideally Suited for Automated Assembly



■ Maximum Ratings and Electrical Characteristics @ Ta = 25°C

Parameter	Symbol	S1A	S1B	S1D	S1G	S1J	S1K	S1M	Unit
Peak Repetitive Reverse Voltage	VRRM								
Working Peak Reverse Voltage	VRWM	50	100	200	400	600	800	1000	V
DC Blocking Voltage	VR								
RMS Reverse Voltage	VR(RMS)	35	70	140	280	420	560	700	V
Average Rectified Output Current @T _T =100°C	I _o	1.0							A
Peak Forward Surge Current 8.3ms single half sine-wave superimposed on rated load (JEDEC Method)	I _{FSM}	30							A
Maximum Instantaneous Forward Voltage at 1.0A	V _{FM}	1.1							V
Maximum DC Reverse Current TA=25°C	I _{RM}	5.0							μA
At Rated DC Blocking Voltage TA=125°C		100							
Typical Total Capacitance *1	C _T	10							pF
Typical Thermal Resistance, Junction to Terminal *2	R _{θJT}	30							°C/W
Operating and Storage Temperature Range	T _j , T _{STG}	-65 to +150							°C

*1. Measured at 1.0MHz and applied reverse voltage of 4.0V DC.

*2. Thermal Resistance Junction to Terminal, unit mounted on PC board with 5.0 mm² (0.013 mm thick) copper pads as heat sink