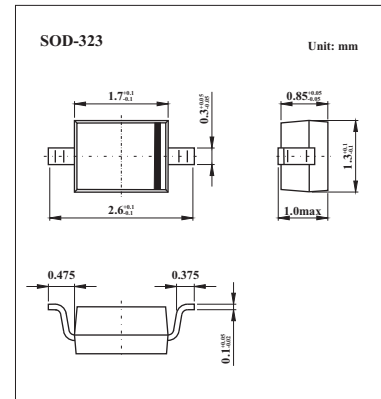


Surface Mount Schottky Barrier Rectifier BAT760

■ Features

- Very Low Forward Voltage Drop
- Guard Ring Construction for Transient Protection
- High Conductance



■ Absolute Maximum Ratings $T_a = 25^\circ\text{C}$

Parameter	Symbol	Rating	Unit
Peak repetitive reverse voltage	V_{RRM}	30	V
Working peak reverse voltage	V_{RWM}		
DC blocking voltage	V_R		
RMS reverse voltage	$V_{R(RMS)}$	21	V
Average rectified output current	I_O	1	A
Non-Repetitive Peak Forward Surge Current 8.3ms single half sine-wave superimposed on rated load (JEDEC Method)	I_{FSM}	5.5	A
Power dissipation (Note 1)	P_D	235	mW
Typical Thermal Resistance Junction to Ambient (Note 1)	$R_{\theta JA}$	426	$^\circ\text{C}/\text{W}$
Operating and storage temperature range	T_j, T_{stg}	-65 to +125	$^\circ\text{C}$

Note: 1. Part mounted on FR-4 PC board with recommended pad layout

■ Electrical Characteristics $T_a = 25^\circ\text{C}$

Parameter	Symbol	Test conditions	Min	Typ	Max	Unit
Reverse Breakdown Voltage	$V_{(BR)R}$	$I_R = 500 \mu\text{A}$	30			V
Forward voltage	V_F	$I_F = 10\text{mA}$ $I_F = 100\text{mA}$ $I_F = 1\text{A}$			0.27 0.35 0.55	V
Leakage current (Note 2)	I_R	$V_R = 5\text{V}$ $V_R = 8\text{V}$ $V_R = 15\text{V}$			10 20 50	μA
Junction Capacitance	C_J	$V_R = 5\text{V}, f = 1.0\text{MHz}$		25		pF

Note: 2. Short duration test pulse used to minimize self-heating effect.

■ Marking

Marking	SL
---------	----

BAT760

■ Typical Characteristics

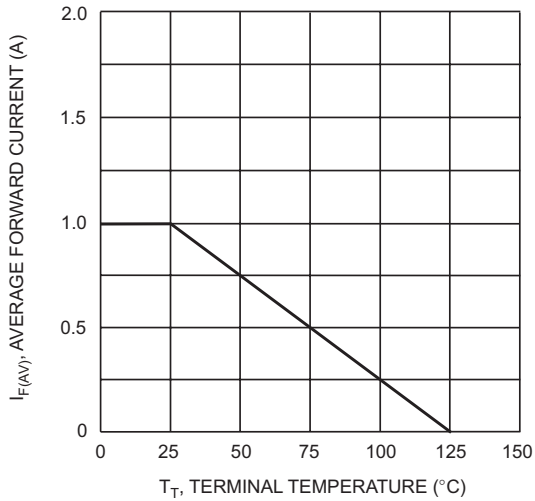


Fig. 1 Forward Current Derating Curve

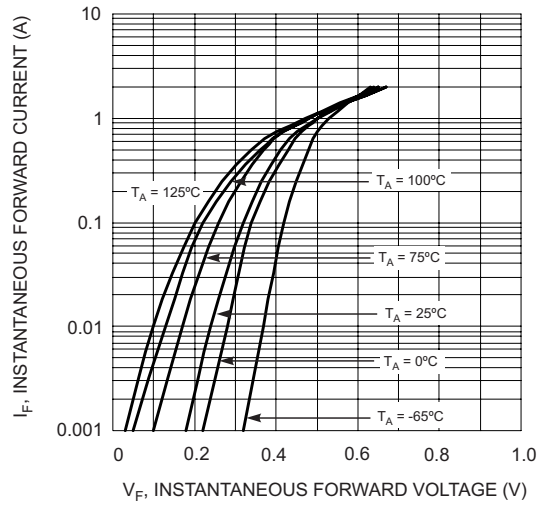


Fig. 2 Typical Forward Characteristics

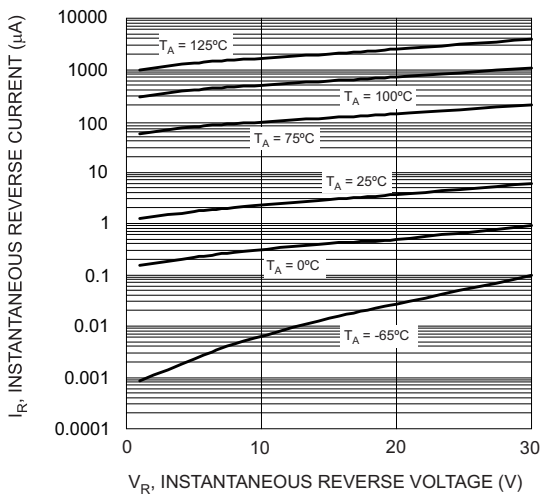


Fig. 3 Typical Reverse Characteristics

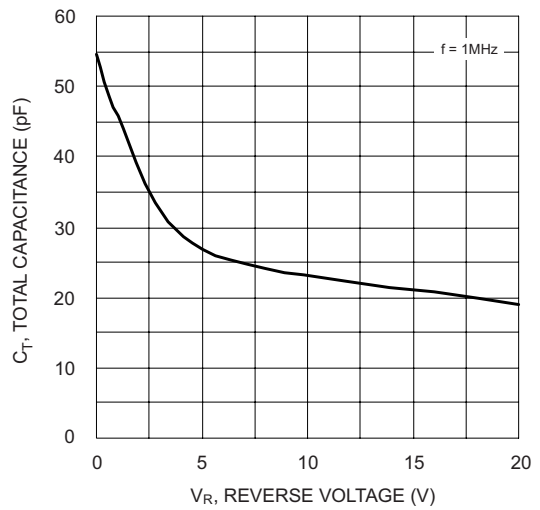


Fig. 4 Typ. Total Capacitance vs Reverse Voltage