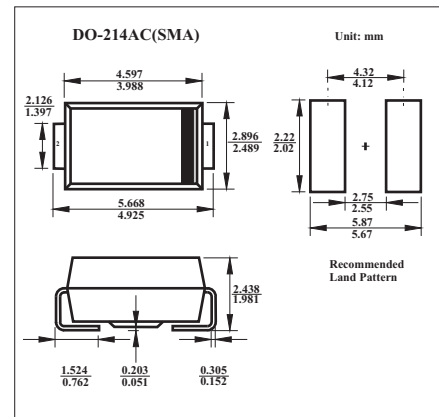


Surface Mount Ultrafast Rectifiers

US2M

■ Features

- For surface mount applications
- Ultrafast recovery times for high efficiency
- Low forward voltage, low power loss



■ Maximum Ratings and Electrical Characteristics (@T_A=25°C unless otherwise specified)

Parameter	Symbol	Ratings	Unit
Peak Repetitive Reverse Voltage	V _{RRM}	1000	V
RMS voltage	V _{RMS}	700	V
DC blocking voltage	V _R	1000	V
Average forward output rectified current (Note 1) @T _L = 75 °C	I _O	1.0	A
Non-Repetitive Peak Forward Surge Current 8.3ms Single half sine-wave superimposed on rated load (JEDEC Method)	I _{FSM}	30	A
Forward Voltage @I _F = 2.0A	V _F	1.7	V
Peak Reverse Current @T _A = 25°C	I _R	5.0	μA
at Rated DC Blocking Voltage @T _A = 100°C		100	
Reverse Recovery Time (Note 1)	t _{rr}	75	ns
Typical Junction Capacitance (Note 2)	C _j	20	pF
Typical Thermal Resistance Junction to Ambient	R _{θJA}	50	°C/W
Operating and Storage Temperature Range	T _J ,T _{STG}	-55 to +150	°C

Note: 1. Measured with I_F = 0.5A, I_R = 1.0A, I_{rr} = 0.25A.

2. Measured at 1.0MHz and applied reverse voltage of 4.0V DC.

■ Marking

Marking	US2M
---------	------

US2M

■ Typical Characteristics

