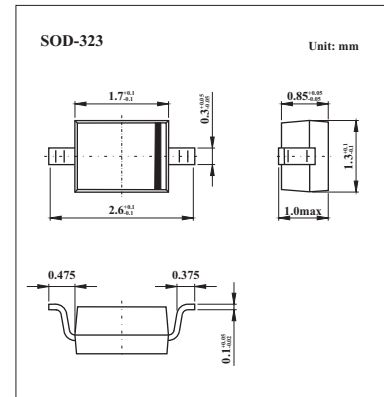
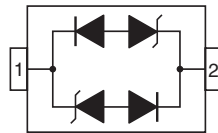


## Ultra Low Capacitance TVS Array KBLC05C

### ■ Features

- 350 Watts Peak Pulse Power per Line (tp = 8/20 μ s)
- Unidirectional & Bidirectional Configurations
- Low Clamping Voltage
- Available in Multiple Voltage Types Ranging



### ■ Absolute Maximum Ratings Ta = 25°C

Parameter	Symbol	Rating	Unit
Peak Pulse Power 8/20 μ s	P <sub>pp</sub>	350	W
Operating Temperature Range	T <sub>J</sub>	-55 to +150	°C
Storage Temperature Range	T <sub>stg</sub>	-55 to +150	°C

### ■ Electrical Characteristics Ta = 25°C

Part Number	Rated Stand-off Voltage V <sub>WM</sub>	Minimum Breakdown Voltage V <sub>(BR)</sub> @ I <sub>T</sub> =1 mA	Maximum Clamping Voltage V <sub>C</sub> @ I <sub>P</sub> =1A	Maximum Clamping Voltage V <sub>C@I<sub>PP</sub></sub> (@8/20μs)	Maximum Leakage Current I <sub>D</sub> @V <sub>WM</sub>	Typical Capacitance C <sub>T</sub> @0V, f=1MHz
	V	V	V		μ A	
KBLC05C	5.0	6.0	9.8	18.3V @ 17.0A	5.0	0.6

### ■ Marking

Marking	AC
---------	----

# KBLC05C

■ Typical Characteristics

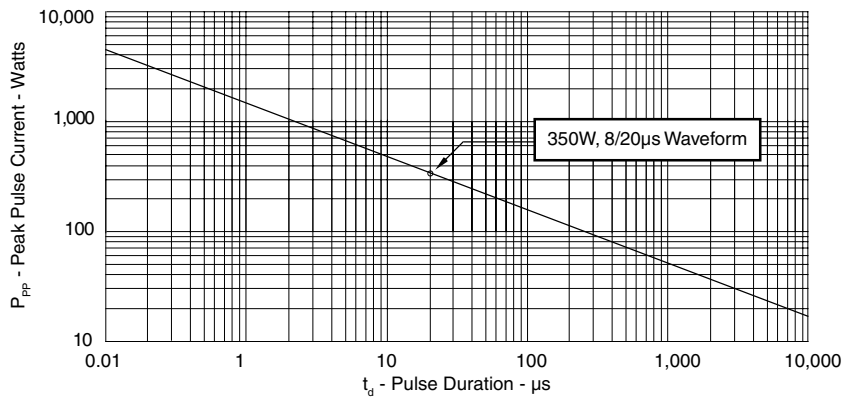


FIGURE 1 PEAK PULSE POWER VS PULSE TIME

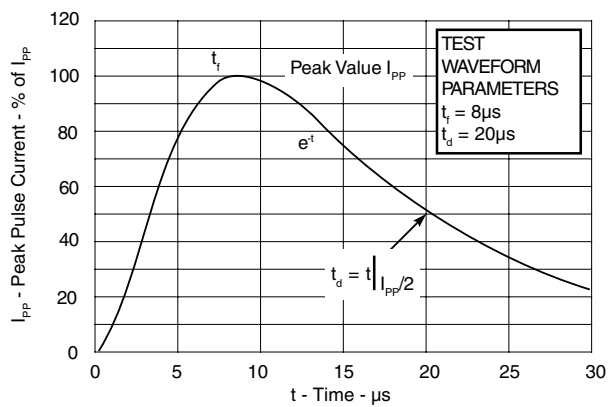


FIGURE 2 PULSE WAVE FORM