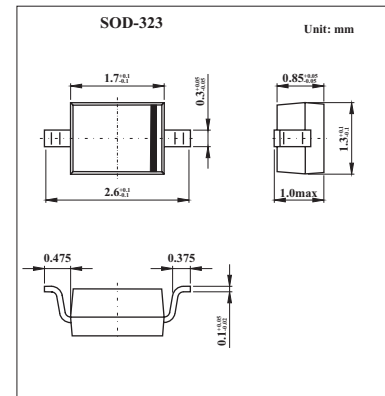


## Silicon Epitaxial Planar Diode

## 1SV229

## ■ Features

- Ultra low series resistance:  $r_s = 0.2 \Omega$  (typ.)
- Useful for small size set

■ Absolute Maximum Ratings  $T_a = 25^\circ\text{C}$ 

Parameter	Symbol	Value	Unit
Reverse Voltage	$V_R$	15	V
Junction Temperature	$T_j$	125	$^\circ\text{C}$
Storage Temperature Range	$T_{stg}$	-55 to +125	$^\circ\text{C}$

■ Electrical Characteristics  $T_a = 25^\circ\text{C}$ 

Parameter	Symbol	Conditions	Min	Typ	Max	Unit
Reverse Voltage	$V_R$	$I_R = 1 \mu\text{A}$	15			V
Reverse Current	$I_R$	$V_R = 15 \text{V}$			3	nA
Capacitance	$C_{2V}$	$f = 1 \text{MHz}; V_R = 2 \text{V}$	14	15	16	pF
	$C_{10V}$	$f = 1 \text{MHz}; V_R = 10 \text{V}$	5.5	6	6.5	
Capacitance Ratio	$C_{2V}/C_{10V}$		2	2.5		
Series Resistance	$r_s$	$V_R = 5 \text{V}, f = 470 \text{MHz}$		0.2	0.4	$\Omega$

## ■ Marking

Marking	T8